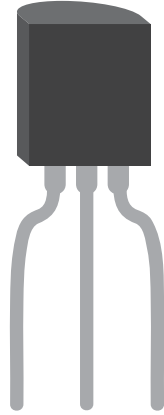


Transistors

Base controls the transistor (its the on/off switch)

Collector

Emitter

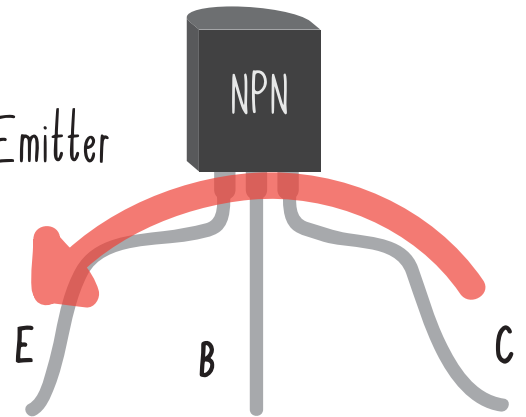
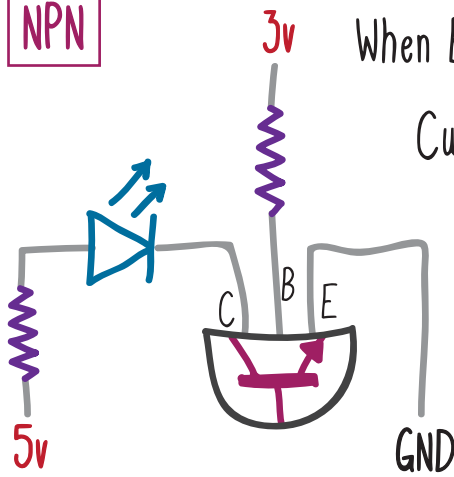


A transistor is a device that regulates current or voltage flow and acts as a switch or gate for electronic signals. It has 3 legs: an *emitter*, a *base*, and a *collector*.

NPN

When Base is HIGH

Current flows from Collector to Emitter



PNP

When Base is LOW

Current flows from Emitter to Collector

