



# **Subgraph Isomorphism for Electrical Circuits**



# The Goal

Create a searchable circuit database

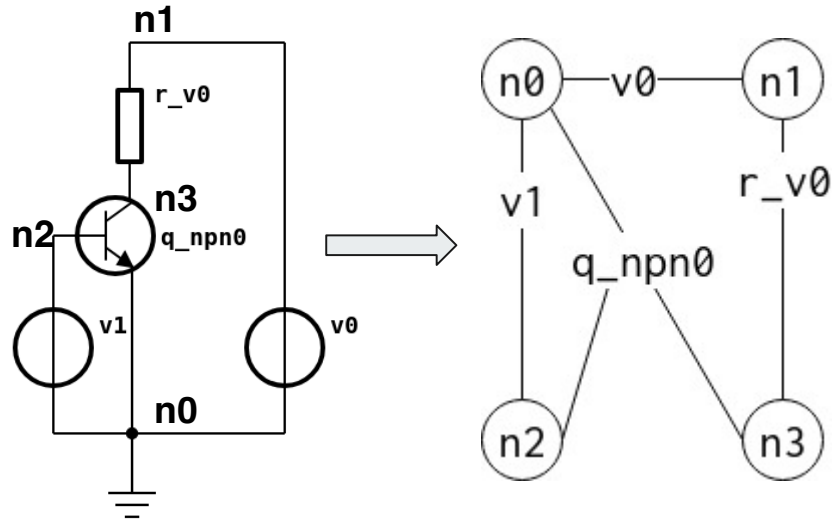


# Why?

- Electrical circuits can't be searched (for now)
  - Redundant academic work
- Tool for students to discover new topologies

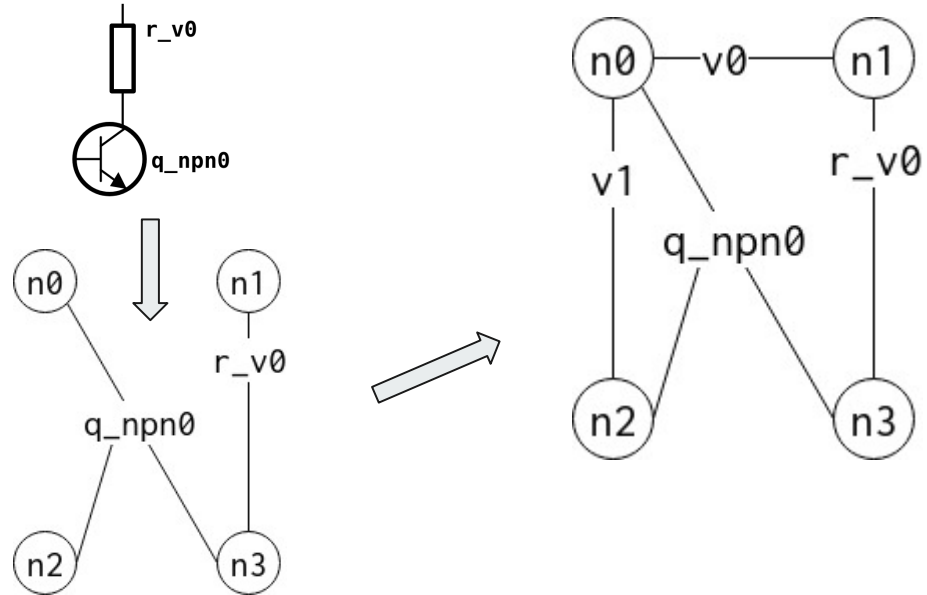
# Circuit Representation

- Hypergraphs
  - Edges can connect multiple vertices
  - Twist: Edges are ordered tuples



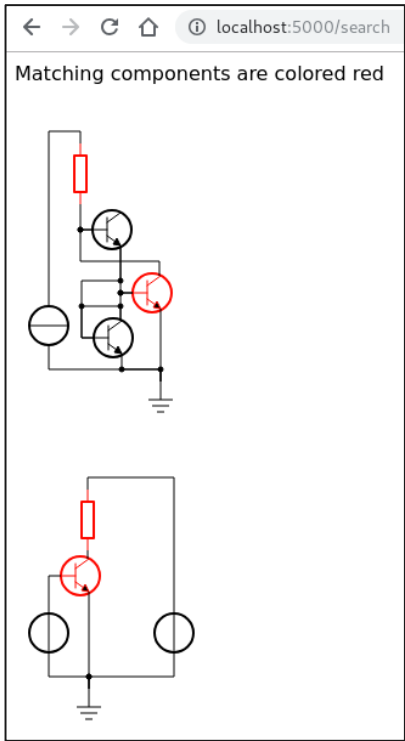
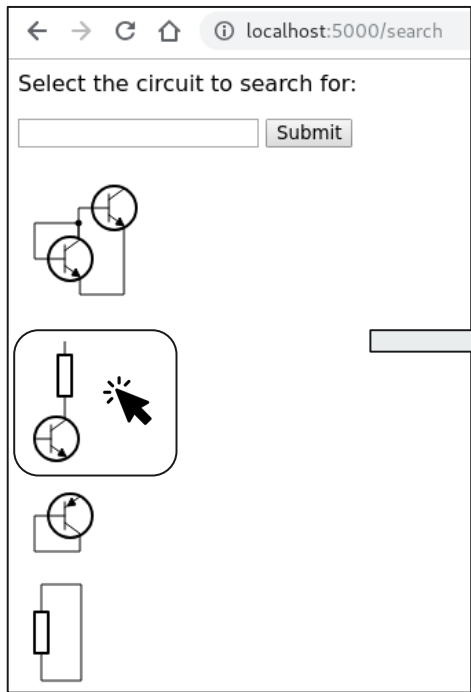
# Subcircuit Isomorphism Algorithm

- Exhaustive Search
  - Slow asymptotic behaviour
  - Somewhat necessary
- Fast for small query circuits



# Visual User Interface

- Web server handles searches
- **netlistsvg** handles rendering circuits





# Demo



# Questions?